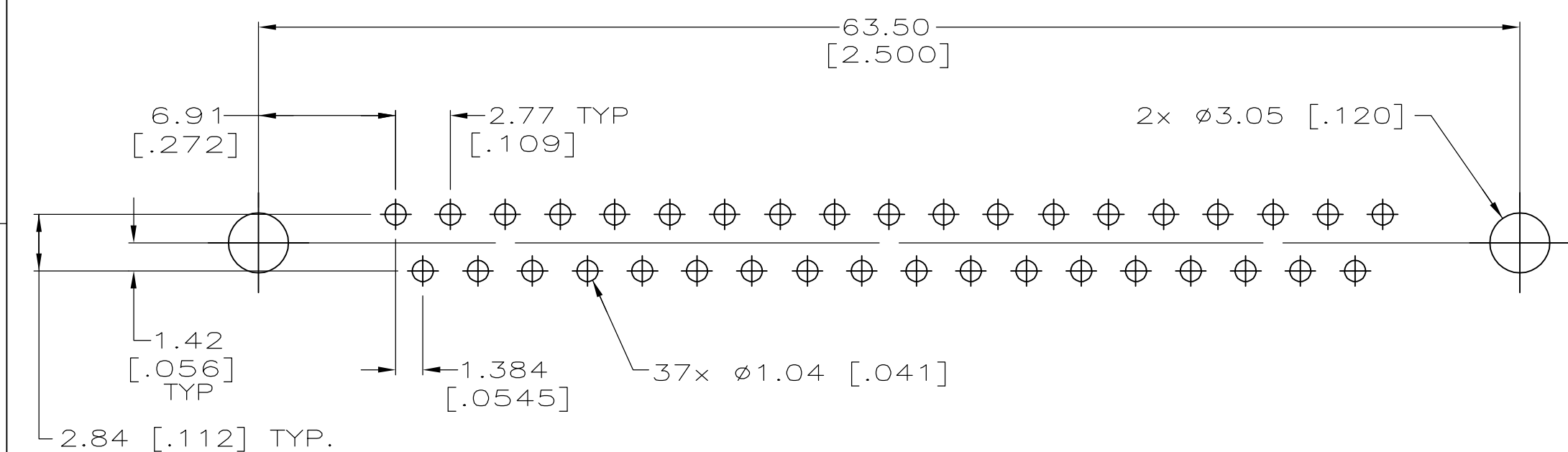
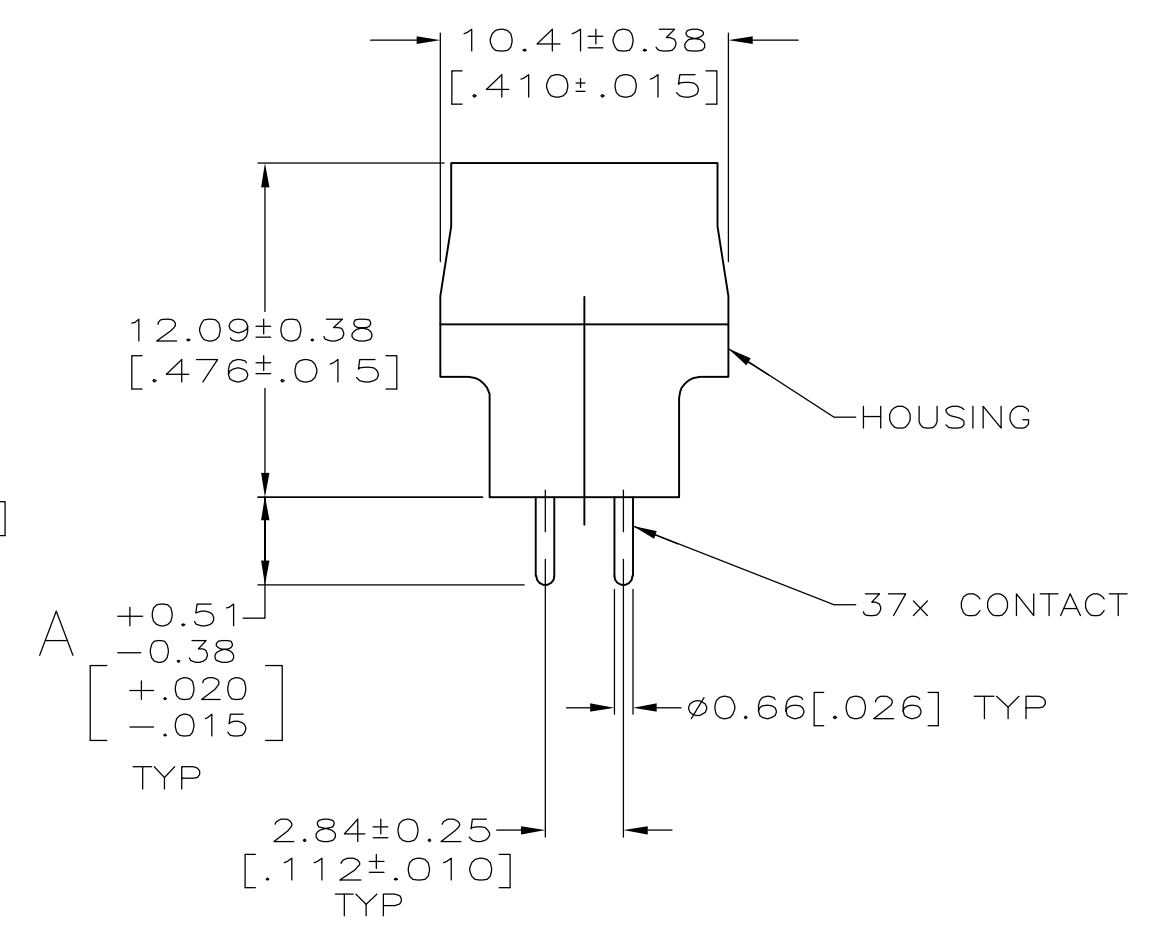
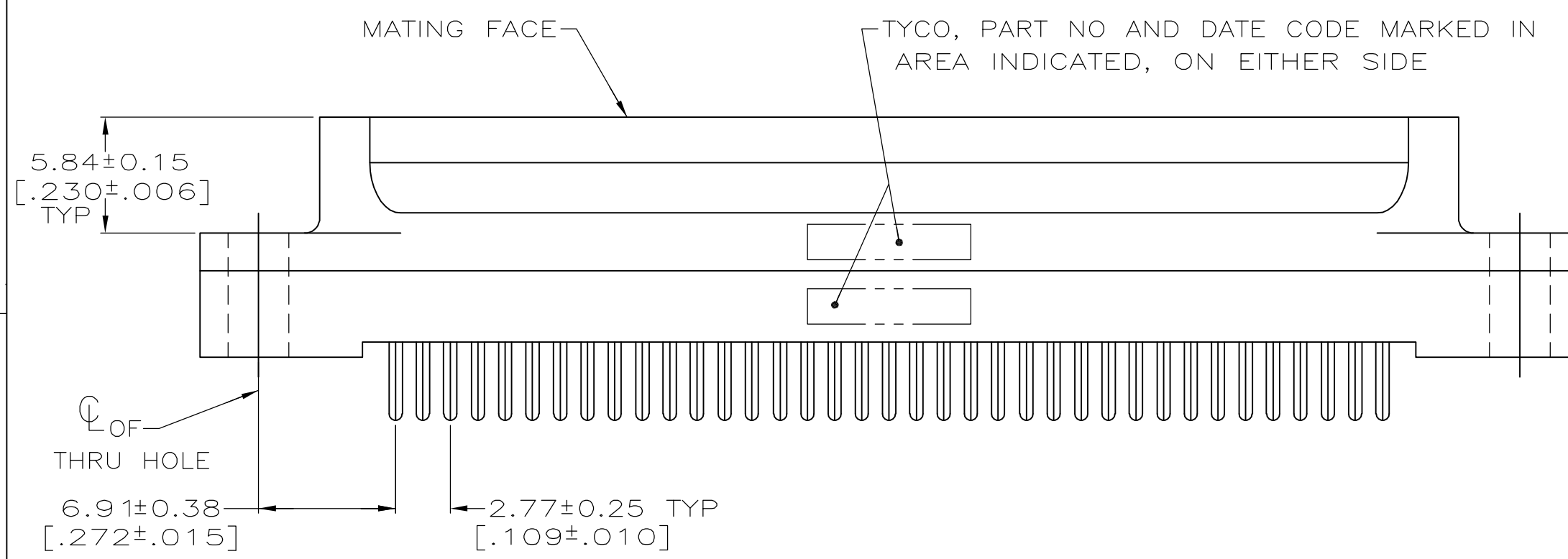


- ① HOUSING: BLACK POLYESTER, UL 94V-0 RATED; CONTACTS: BRASS
- ② CONTACTS: GOLD PLATED FOR A LENGTH OF 3.81[.150] MIN FROM MATING END, GOLD FLASH IN MATED AREA, 2.54 μm[.000100] MIN TIN ON OPPOSITE END, ALL OVER 1.27 μm[.000050] MIN NICKEL.



RECOMMENDED PC BOARD MOUNTING DIMENSIONS

COPYRIGHT 2005 TYCO ELECTRONICS CORP ALL RIGHTS RESERVED

LOC	DIST	REVISIONS					
GP	00	P	LTR	DESCRIPTION	DATE	OWN	APVD
		0		RELEASED PER EC 0S13-0087-05	12SEP05	GP	JG

THIS DRAWING IS A CONTROLLED DOCUMENT.		DWN	G.PETERS	12SEP05	tyco Electronics	Tyco Electronics Corporation Harrisburg, PA 17105-3608	
DIMENSIONS: mm [INCHES]		CHK	S.BOLASH	12SEP05		PLUG ASSEMBLY, SIZE 4, 37 POSN, VERTICAL, AMPLIMITE HD-20	
TOLERANCES UNLESS OTHERWISE SPECIFIED:		APVD	M.WALMSLEY	12SEP05	NAME	108-40025	
0 PLC	± -	PRODUCT SPEC	108-40025		SIZE	CAGE CODE	DRAWING NO
1 PLC	± -	APPLICATION SPEC	-		A2	00779	G-5208009
2 PLC	± 0.13 [.005]	RESTRICTED TO	-		-		
3 PLC	± -	CUSTOMER DRAWING	-		SCALE	4:1	SHEET
4 PLC	± - ± 2'	WEIGHT	-		1	OF	1
ANGLES	± - ± 2'	CUSTOMER DRAWING	-		REV	0	
FINISH	②	CUSTOMER DRAWING		SCALE	4:1	SHEET	1 OF 1